

GKM Series

Global Miniature Safety Key Interlock Switch



DESCRIPTION

Used alone as Category 1 per EN 954-1 safety component, or in conjunction with other safety switches and our complete range of safety control modules, it is possible to construct comprehensive protection schemes with Category 2, 3, or 4 compliance.

FEATURES

- Red body color
- Integrated cable or connector(s)
- Bottom or side entry cable
- 90° or straight key
- Extremely compact enclosure
- Positive opening operation of Normally Closed contacts conforming to IEC/EN 60947-5-1-3
- IP67 enclosure rating
- Stackable design allows side-by-side mounting
- Dust cap for unused key entry
- Robust stainless steel keys
- UL listed, CSA certified, CE compliant
- High current switching capabilities
- Small door swing radius allows use down to 160 mm [6.3 in]

The prelead versions allow rapid fit, easy cable routing and function testing which cut costs dramatically in OEM applications. Simple upgrade guarding solutions are available for end-user applications. Order switch and key separately.

POTENTIAL APPLICATIONS

- Small enclosures and compact spaces
- Multiple door modular machinery

BENEFITS

- Immediately identifiable as safety component
- Reduced installation time and costs
- Flexibility in mounting/actuation options
- Switch equipment directly and through safety control modules
- Fits into extremely compact spaces
- Suitable for wet applications
- Extremely simple mechanical redundancy as well as electrical redundancy
- Very easy to apply to multiple door modular machinery – no difficulty in wiring small switch enclosures
- Durable and tough design
- Complies with global requirements

GKM Series

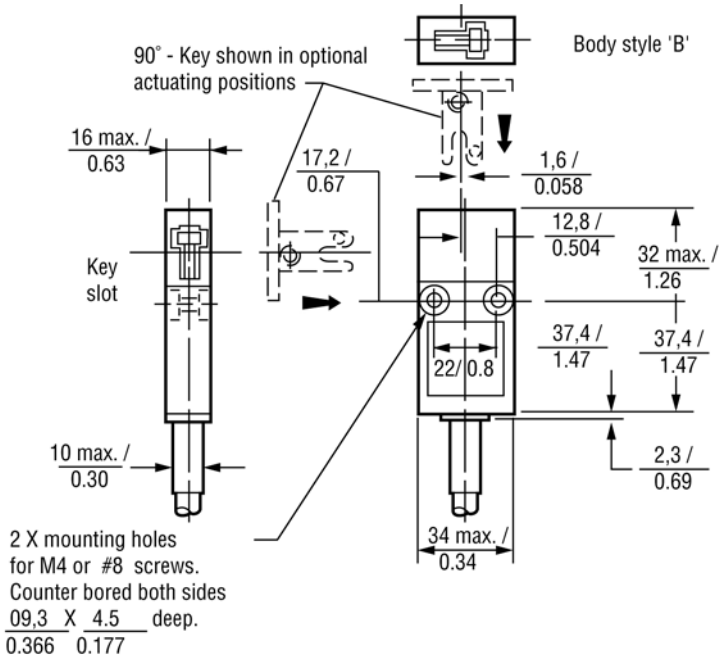
SPECIFICATIONS

Characteristic	Parameter
Mechanical life	> 1 million operations
Degree of protection	IP66/67; EN 60529; NEMA 1, 12, 13
Temperature range	-25 °C to 85 °C [-13 °F to 185 °F]
Approvals*	IEC 60947-5-1, EN 60947-5-1, EN 1088, EN 60504, UL508, CSA22-2-14, UL748C utilization category
Ratings	15 ac, B300; 13 dc, Q300 For low energy (gold versions): operating voltage Ue: 1 Vac to 50 Vac or 1 Vdc to 50 Vdc Operating current Ie: 1 µA to 100 mA
Cable spec.	SJTP rated P.V.C. type
Vibration	IEC 68-2-6 (BS 2011, Part 2.1 Fc) 10 g
Shock	IEC 68-2-27 (BS 2011, Part 2.1 Ea) 50 g
Door radius	160 mm [6.3 in]

NOTES:

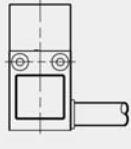
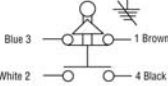
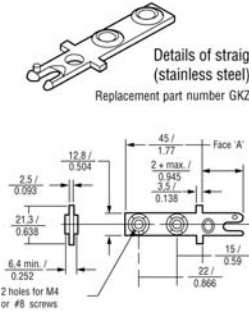
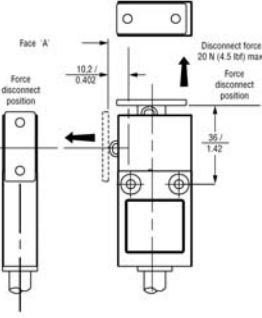
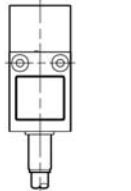
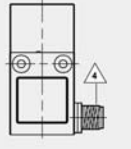
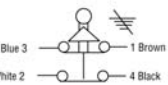
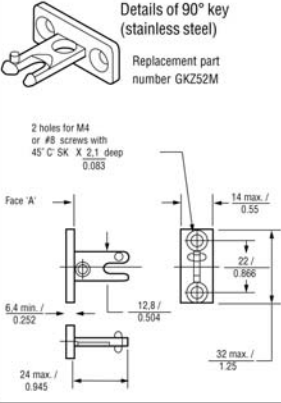
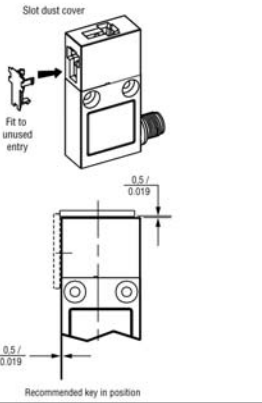
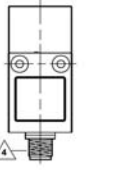
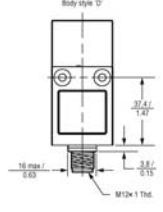
* See standards (<http://content.honeywell.com/sensing/prodinfo/safety/catalog/en/v6si179e.pdf>)

DIMENSIONS mm/in



Global Miniature Safety Key Interlock Switch

PART NUMBER TREE

Body style	Cable/connector	Switch type (Slow-action contacts)	Key style (sold separately)	Optional key positions
 <p>A</p>	<p>1 METRE CABLE LENGTH 1</p> <p>2 METRE CABLE LENGTH 2</p> <p>3 METRE CABLE LENGTH 3</p>	<p>1 NORMALLY CLOSED/ 1 NORMALLY OPEN</p> <p>BREAK BEFORE MAKE</p>  <p>Blue 3 — 1 Brown</p> <p>White 2 — 4 Black</p> <p>LOW ENERGY (GOLD) CONTACTS</p> <p>9*</p>	<p>1</p> <p>Details of straight key (stainless steel) Replacement part number GKZ51M</p> 	 <p>Face 'A'</p> <p>Force disconnect position</p> <p>Force connect position</p> <p>Disconnect force 20 N (4.5 lbf) max.</p>
 <p>B</p>				
 <p>C</p>	<p>ZERO INDICATES NO CABLE BUT CONNECTOR</p> <p>0</p>	<p>2 NORMALLY CLOSED</p>  <p>Blue 3 — 1 Brown</p> <p>White 2 — 4 Black</p> <p>LOW ENERGY (GOLD) CONTACTS</p> <p>6</p>	<p>2</p> <p>Details of 90° key (stainless steel) Replacement part number GKZ52M</p> 	 <p>Slot dust cover</p> <p>Fit to unused entry</p> <p>Recommended key in position</p>
 <p>D</p>		<p>LOW ENERGY (GOLD) CONTACTS</p> <p>7*</p>		

▲ Micro-change dc Style M12, 4 Pin with external threads/male

▲ GOLD PLATE OVER SILVER

Ordering:

GKM

X

X

X +

Key ordering

GKZ5

X

M

Example: GKMD03 + GKZ52M

WARNING

PERSONAL INJURY

DO NOT USE these products as safety or emergency stop devices or in any other application where failure of the product could result in personal injury.

Failure to comply with these instructions could result in death or serious injury.

WARNING

MISUSE OF DOCUMENTATION

- The information presented in this product sheet is for reference only. Do not use this document as a product installation guide.
- Complete installation, operation, and maintenance information is provided in the instructions supplied with each product.

Failure to comply with these instructions could result in death or serious injury.

WARRANTY/REMEDY

Honeywell warrants goods of its manufacture as being free of defective materials and faulty workmanship. Honeywell's standard product warranty applies unless agreed to otherwise by Honeywell in writing; please refer to your order acknowledgement or consult your local sales office for specific warranty details. If warranted goods are returned to Honeywell during the period of coverage, Honeywell will repair or replace, at its option, without charge those items it finds defective. **The foregoing is buyer's sole remedy and is in lieu of all other warranties, expressed or implied, including those of merchantability and fitness for a particular purpose. In no event shall Honeywell be liable for consequential, special, or indirect damages.**

While we provide application assistance personally, through our literature and the Honeywell web site, it is up to the customer to determine the suitability of the product in the application.

Specifications may change without notice. The information we supply is believed to be accurate and reliable as of this printing. However, we assume no responsibility for its use.

SALES AND SERVICE

Honeywell serves its customers through a worldwide network of sales offices, representatives and distributors. For application assistance, current specifications, pricing or name of the nearest Authorized Distributor, contact your local sales office or:

E-mail: info.sc@honeywell.com

Internet: www.honeywell.com/sensing

Phone and Fax:

Asia Pacific	+65 6355-2828
	+65 6445-3033 Fax
Europe	+44 (0) 1698 481481
	+44 (0) 1698 481676 Fax
Latin America	+1-305-805-8188
	+1-305-883-8257 Fax
USA/Canada	+1-800-537-6945
	+1-815-235-6847
	+1-815-235-6545 Fax

Sensing and Control

Honeywell

1985 Douglas Drive North

Minneapolis, Minnesota 55422

www.honeywell.com/sensing

004750-1-EN IL50 GLO Printed in USA
February 2007

Copyright © 2007 Honeywell International Inc. All rights reserved.

Honeywell